

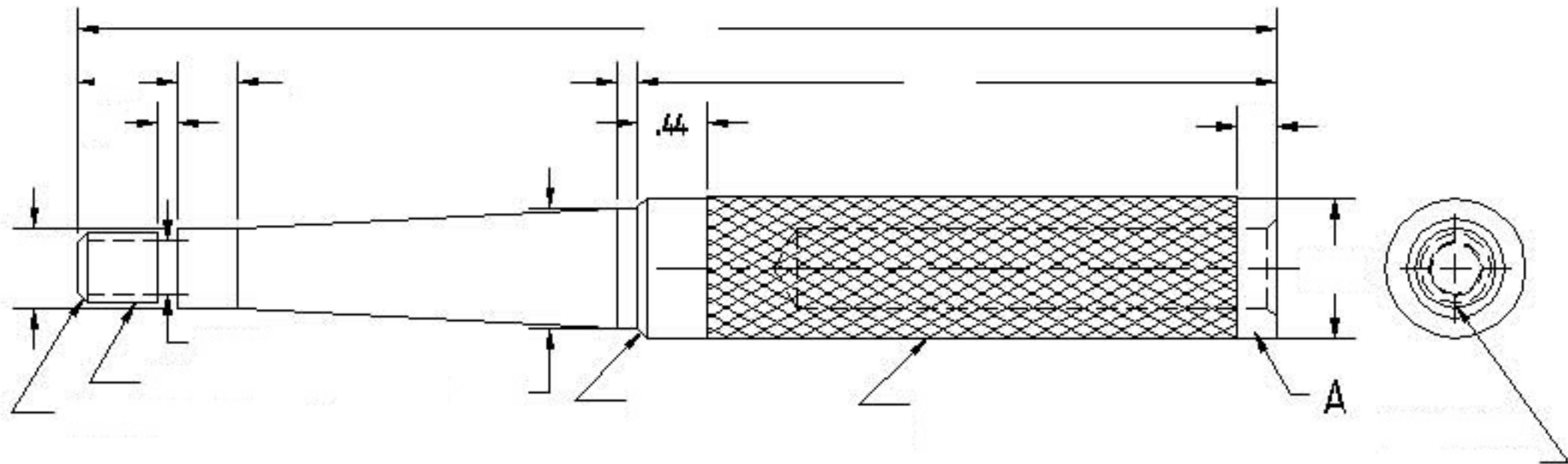
3	CHAPEAU	CUIVRE	1
2	MANCHE	ALUMINUM	1
1	TÊTE	CUIVRE	1
No.	DESCRIPTION	METERIAL	QTY.


**SKILLS
COMPÉTENCES
CANADA**
 SASKATCHEWAN
COMPÉTITION NATIONAL TECHNIQUE D'USINAGE

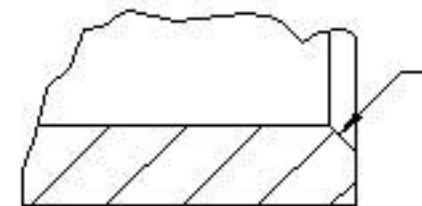
**TOLERANCES
EXCEPT AS NOTED**
 .XX = ±.01
 .XXX = ±.002
 .XXXX = ±.0005
 ANGLES = ±0°30'

TITLE
 ASSEMBLAGE DU MARTEAU EN METAL
DRAWN BY:
 C. LAING UOFM ENGINEERING
CHECKED BY:
 W. PALMER, P.B., & P.A.R.


MATERIAL:
 AS NOTED
DATE:
 MAR 2, 2007
SCALE:
 N.T.S.
SIZE:
 A
SHEET NUMBER:
 1 OF 3

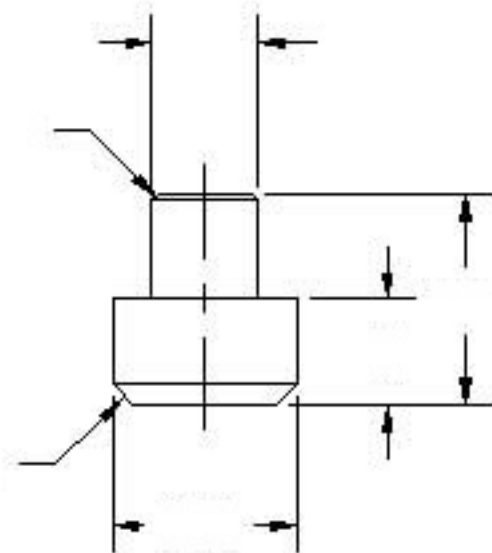


ITEM DU MANCHE - 2



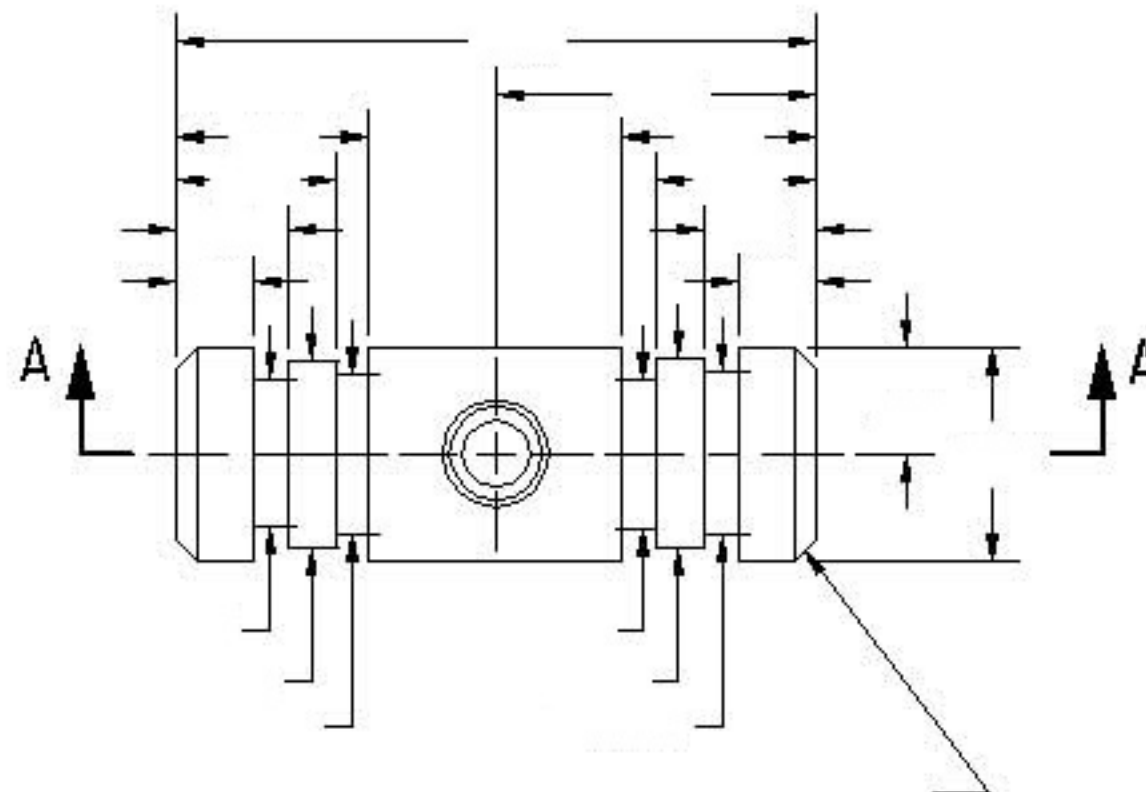
DÉTAIL-A

 <p>SKILLS COMPÉTENCES CANADA SASKATCHEWAN COMPÉTITION NATIONAL TECHNIQUE D'USINAGE</p>	<p>TOLERANCES EXCEPT AS NOTED .XX = ±.01 .XXX = ±.002 .XXXX = ±.0005 ANGLES ±0°30'</p>	<p>TITLE: DÉTAIL DU MANCHE</p>		<p>MATERIAL: ALUMINUM</p>	
		<p>DRAWN BY: C. L.</p>	<p>DATE: MAR 2, 2007</p>	<p>SIZE: A</p>	<p>SHEET NUMBER: 20F3</p>
		<p>CHECKED BY: W. PALMER, P.B., & P.A.R.</p>	<p>SCALE: N.T.S.</p>		

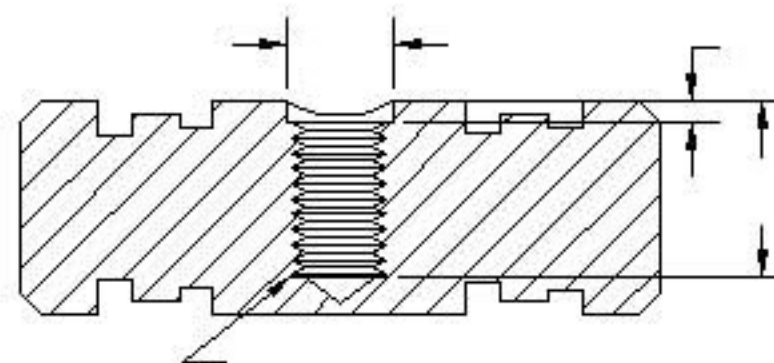


ITEM DUCHAPEAU - 3

ENLEVER LES ARÊTES VIVANTES ET LES COINS TRANCHANTS



ITEM DE LA TÊTE - 1



SECTION A-A