

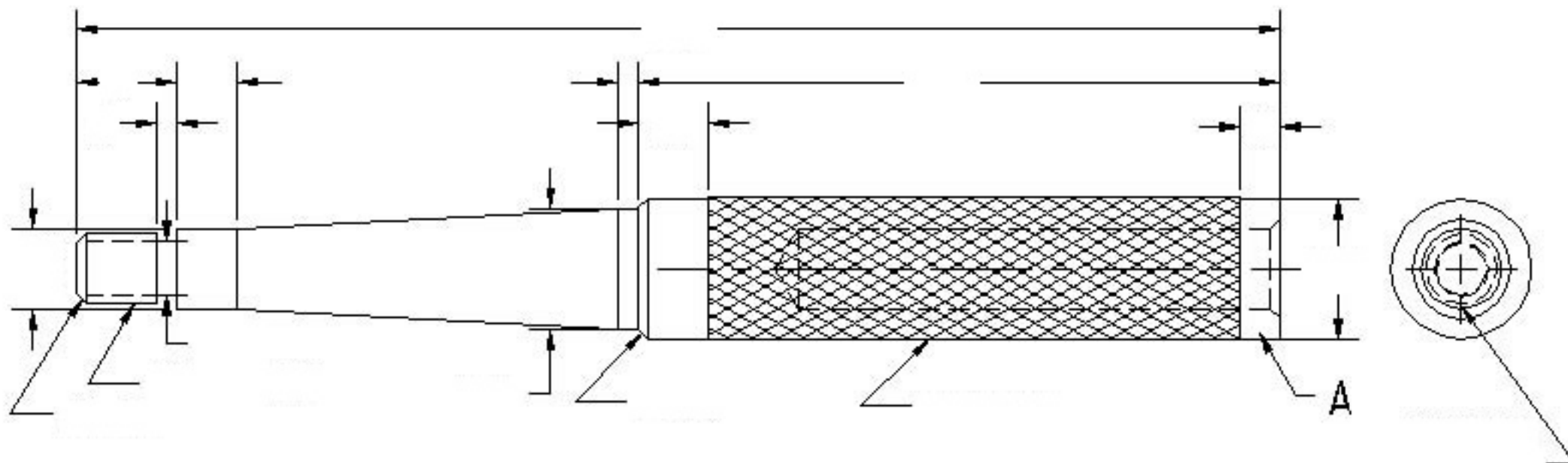
3	CAP	BRASS	1
2	HANDLE	ALUMINUM	1
1	HEAD	BRASS	1
No.	DESCRIPTION	METERIAL	QTY.



PRECISION MACHINING NATIONAL COMPETITION

TOLERANCES  
EXCEPT AS NOTED  
.XX - ±.01  
.XXX - ±.002  
.XXXX - ±.0005  
ANGLES ±0°30'

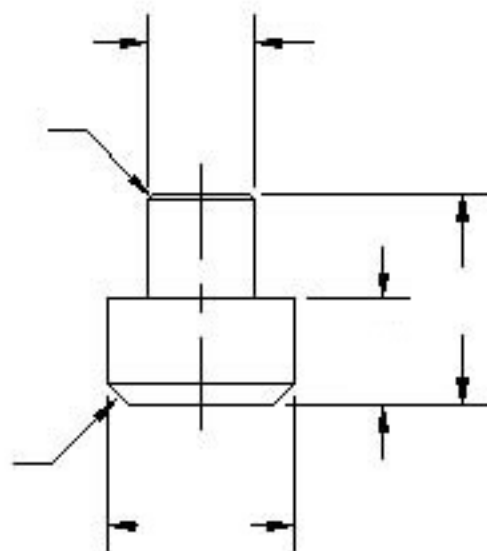
TITLE METAL HAMMER ASSEMBLY		MATERIAL AS NOTED	
DRAWN BY: C. LAING UOFM ENGINEERING	DATE MAR 2, 2007	SIZE A	SHEET NUMBER 1 OF 3
CHECKED BY: W. PALMER, P.B., & P.A.R.	SCALE N.T.S.		



HANDLE ITEM-2

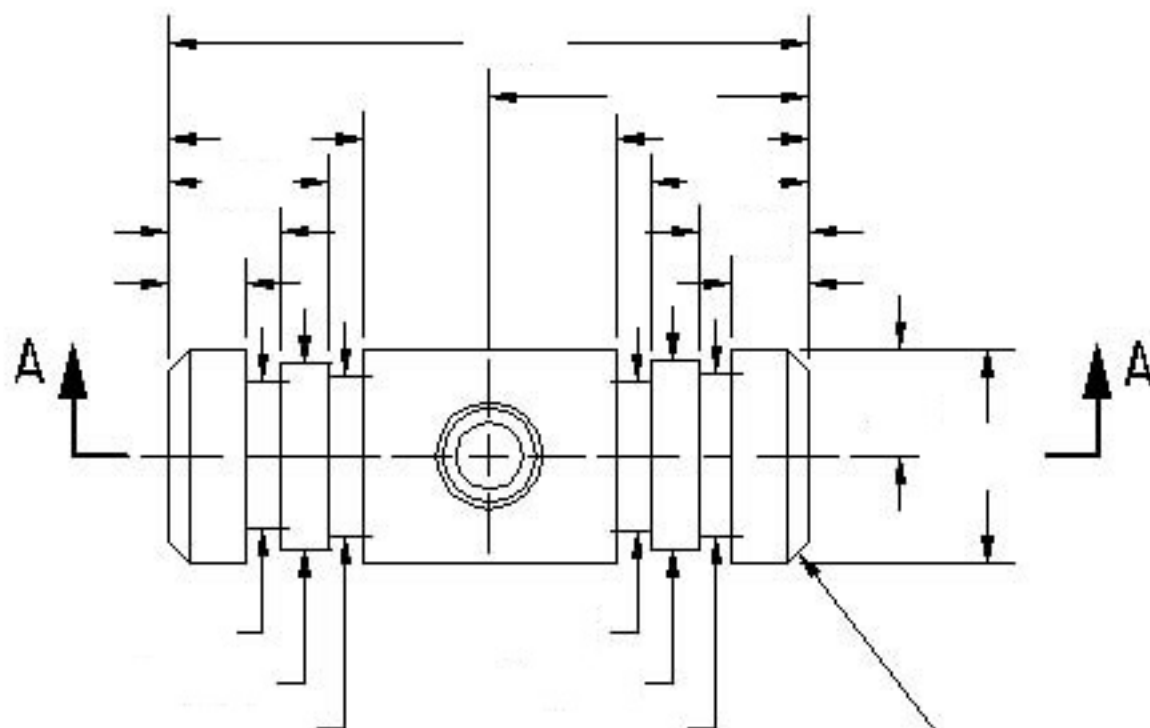


DETAIL-A

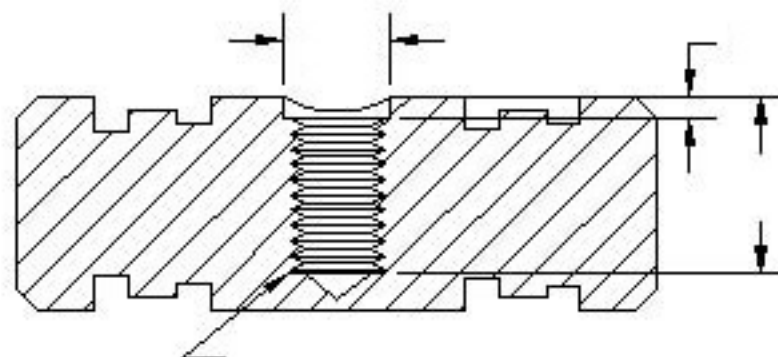


CAP ITEM-3

NOTE: REMOVE ALL BURRS  
AND SHARP EDGES



HEAD ITEM-1



SECTION A-A